

RockHound.com

BrushHound

800 426-5615



F-H Series BrushHound Owner's Manual





Delivery Report Form

Prior to acceptance of the equipment, thoroughly check and mark off the items outlined in the delivery checklist below with your sales representative. Make sure you fully understand the operation, adjustment and safety rules as outlined in the operator's manual. The sales representative is responsible for going over this form with the owner and operator of this attachment. This form also serves as your warranty registration. Fax to 360-230-2322.

Customer Information

Last Name		Street Address	
City	State	Zip	

Attachment Information

Model	Serial Number
-------	---------------

Dealer Information

Company Name		Sales Rep. Name	
Company Street Address	City	State	Zip

- Check to make sure attachment is completely lubricated.
- Buyer is shown all grease fittings and proper daily maintenance routine.
- Buyer is shown correct operation procedures including correct height of attachment.
- All bolts checked for tightness.
- Front demolition door option was explained.
- All knives and blade bolts are in place.
- All safety shields in place.
- Procedures for attaching shredder demonstrated to buyer.
- Starting procedures explained to buyer.
- Operation guidelines as outlined in owner's manual explained to buyer.
- Adjustment of cutting height explained to buyer.
- Replacement of knives explained to buyer.
- Lift limit D-ring application was explained.
- Belts checked for proper adjustment.
- All safety precautions thoroughly read and understood.

The signatures below indicate that both the sales representative and the end user have gone over the above checklist and all topics have been covered thoroughly.

Buyer Signature _____ Date _____

Sales Rep. Signature _____ Date _____

Fax this completed form to 360-230-2322.

Table of Contents

Introduction

Thank You	1
Warranty Information	2

Safety

Safety Procedures	3
Maintenance Safety.....	5

Basic Operation

Attaching to Skid Steer	6
Starting Procedure.....	7
Running Your Attachment.....	8

Adjustments and Maintenance

Lubrication.....	9
Cutting Height and Belt Adjustment	10
Replacing Knives.....	11
Cleaning Your Shredder.....	12
Hydraulic Plumbing Diagram	13
Transport, Removal and Storage	14
Frequently Asked Questions.....	15

Parts Catalog

Specifications	17
Cutter Drum Assembly.....	18
Back Roller Assembly	19
Drive Pulley Assembly.....	20
Hydraulic Plumbing.....	21

Thank You

Dear Customer,

Thank you for purchasing a **RockHound Attachments BrushHound**. This manual has been prepared to acquaint you with the operation, adjustment and maintenance of your new brush shredder. It was carefully designed and manufactured under the highest industrial standards to give you years of dependable service. Read this manual carefully and fully understand the operation of the machine before attempting to operate it. Each section has been clearly identified so you can find the information you need. **RockHound Attachments** reserves the right to make changes in design and specifications, and/or to make additions to or improvements in its product without imposing any obligation upon itself to install them on its products previously manufactured. If at any time you require additional information, consult your authorized dealer or the customer service department.

ATTENTION

The safety of the operator was one of the primary concerns of **RockHound Attachments** when designing this shredder. Shielding, simple adjustments and other safety features were built into this shredder whenever possible. You can make your home, orchard or farm a safer place to live and work if you observe the precautions following this message. Be sure you and the people working for you read and understand them. All machinery should be operated only by responsible persons who have been trained to operate them in a safe manner.



RockHound Attachments is solely owned by Valley Tool and Manufacturing.

Have a farm or orchard? Own a tractor with PTO capabilities? Visit our full line of agricultural flail mowers at www.vrisimo.com.

RockHound Attachments
P.O. Box 220-2507 Tully Rd.
Hughson, CA 95326
Phone: (800) 426-5615 Fax: (360) 230-2322

Important to Purchaser Customer Ownership Registration

Prior to acceptance of this attachment, thoroughly check off the pre-delivery checklist with the sale representative. Be sure you fully understand the operation, adjustment and safety rules as outlined in the operator's manual.

Delivery Checklist

- Check to make sure attachment is completely lubricated.
- Buyer is shown all grease fittings and proper daily maintenance routine.
- Buyer is shown correct operation procedures including correct height of attachment.
- All bolts checked for tightness.
- Front demolition door option was explained.
- All knives and blade bolts are in place.
- All safety shields in place.
- Procedures for attaching shredder demonstrated to buyer.
- Starting procedures explained to buyer.
- Operation guidelines as outlined in owner's manual explained to buyer.
- Adjustment of cutting height explained to buyer.
- Replacement of knives explained to buyer.
- Lift limit D-ring application was explained.
- Belts checked for proper adjustment.
- All safety precautions thoroughly read and understood.

Warranty

RockHound Attachments guarantees the BrushHound Shredder to be free from defect in material and workmanship for a period of six months dating from delivery to the original user. The obligation under this warranty, statutory or otherwise, is limited to the replacement and/or repair at your authorized RockHound dealer of such part or parts as shall appear to us, upon inspection, to have been defective in material or workmanship and not altered in any way by the customer or other parties.

This warranty shall not apply to vendor warranted items such as bearings, belts and gearboxes or other parts not manufactured by RockHound Attachments. Such being subject to the warranty of their respective manufacturers.

No expressed, implied or statutory warranty other than herein set forth is made or authorized to be made by us. RockHound Attachments shall not be liable for consequential damages of any kind, including but not limited to: consequential labor costs or transportation charges in connection with the replacement or repair of defective parts, lost time or expense which may have accrued because of said defects.

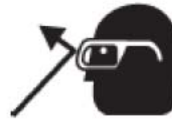
RockHound Attachments reserves the right to make changes in its products at any time and without prior notice. When such changes are made, neither RockHound Attachments nor its dealers assume any obligation to make these changes in products previously manufactured.

Safety

Failure to heed these warnings may result in personal injury or death.

- Before operating this machinery read the owner's manual carefully.

- Use OSHA approved eye, ear and head protection to protect the operator from any flying debris and noise.



- All personnel except operator should be 100 feet clear of machinery before starting or operating it.
- Never use drugs or alcohol before or while operating your attachment.



- Be aware that operating equipment for an extended period of time can result in fatigue or boredom and may cause the operator to lose awareness of what he/she is doing. It is recommended that scheduled work breaks be taken to avoid this.
- Keep hands and loose clothing away from any power-driven parts.
- Avoid contact with hot surfaces including pumps, motors, hydraulic oil tanks and hose connections.
- Do not operate this machine without all guards being in good condition and firmly in place.
- Do not operate this machine on a skid steer or excavator that is not properly maintained. If a control failure should occur while operating this machine, immediately shut it down and perform repairs before continuing.
- **Under no circumstances should the device be raised or curled up far enough to where the blades are visible to the operator. Serious injury or death can occur.**



Good Ride Height



Bad Ride Height

Safety (cont.)

- Stop the operation of this machine when people or vehicle driver's vision becomes obscured, caused by the discharge of materials and dust. Also avoid operating this machinery in unusually foggy conditions or at night.
- Never leave the attachment unattended while it is in the lifted position.
- Keep away from rotating elements to prevent entanglement.



- Do not let the mower blades turn while the deck is raised for any reason.
- Use flashing warning lights when operating on highways, except when prohibited by law.
- Be aware that the attachment may be wider than the operating vehicle, and caution should be used to avoid clipping or running over trees, signs or posts that may be in the way of the attachment.
- Never allow children or other persons to ride on the attachment.

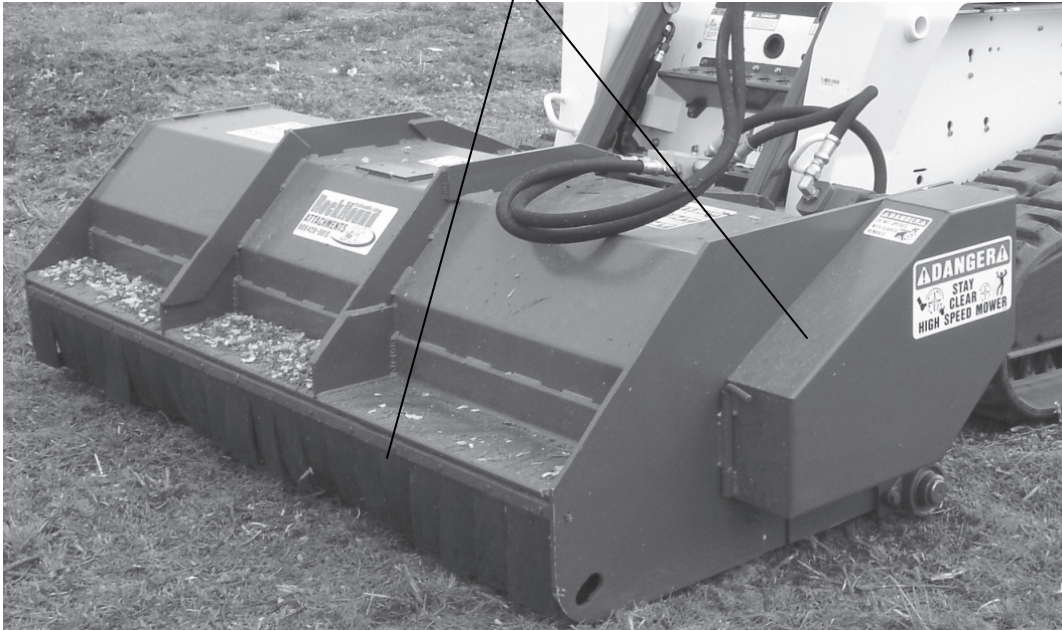


- Drive at a speed you can safely operate the vehicle and attachment. Normal ground speed ranges from 0-5 miles per hour. Use slow operating speeds when operating on or near slopes, ditches, drop-offs, or when debris and foreign objects are to be avoided.
- Use the following guidelines to reduce the risk of equipment and grass fires:
 - Do not smoke or have an open flame near the vehicle and attachment.
 - Do not drive into burning areas or areas that have been freshly burned.
 - Insure slip clutches are properly adjusted to prevent excessive slipping.
 - DO NOT allow clippings or debris to collect near drivelines, slip clutches and gear-boxes. Check the attachment deck periodically and clear out any clippings and collected debris.
- Do not position the attachment or turn it so sharp that the hoses could get pinched or squeezed.

Maintenance Safety

- Be sure to inspect all safety devices (including safety shields, guards, deflectors, etc.) before each use.

Safety Device Examples



- Maintain all safety decals and make sure they are visible to the operator. If decals are worn, contact your nearest RockHound dealer for replacements.
- Replace bent or broken blades with new ones. Do not attempt to weld or bend damaged blades. This can cause cracking or other types of damage that could result in the blade being thrown from the shredder.
- Wear gloves and eye protection and exercise care when handling blades. Also be alert to worn or damaged surfaces that could have sharp edges.
- Disengage hydraulics and shut off engine, allowing all movement to stop before leaving the operator's position to adjust, lubricate, clean or unclog the machine.
- Replace rubber guard on the front of the attachment if torn, frayed, punctured or worn before operating this equipment.
- Before working on or underneath the attachment, place blocks on both sides (front and back) of operating vehicle tires or treads and under each end of the attachment to prevent accidental lowering of the machine. Also remove the ignition key from the operating vehicle and allow all movement to stop before beginning work.

Basic Operation

Attaching to Skid Steer

The BrushHound Front Brush Shredder can be attached to any skid steer with a front mount universal style skid steer style mounting plate. It also requires a standard or high flow 30 GPM, 3000 PSI power unit.

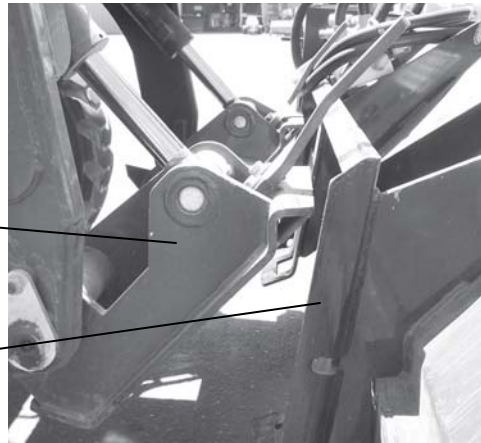
ATTENTION

Make sure all hydraulic hoses are clear of the front mounting plate before connecting the attachment.

1. Line the mount on the skid steer up with the universal mount on the shredder.

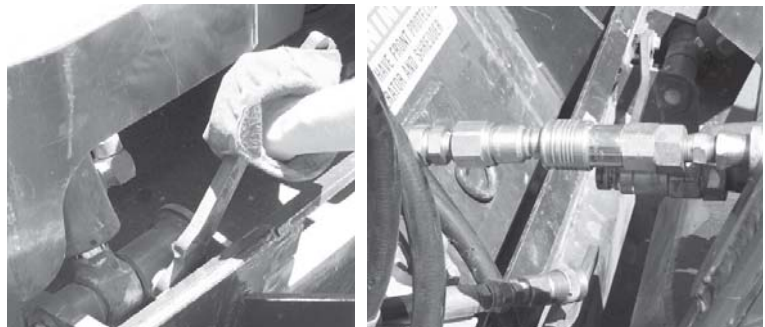
Skid Steer
Mounting
Plate

Shredder
Mounting
Plate



2. Lower the mount on the skid steer and tilt it forward so that it can “scoop” up under the mounting plate on the shredder.
3. Slowly move the skid steer forward until it taps against the shredder.
4. Raise the front mount up on the skid steer and tilt backwards.
5. Check the bottom portion of the mount to see if the mounting plate on the skid steer is flush with the mounting plate on the shredder.
6. Lower the locking mechanisms on the skid steer until they are in a horizontal position.

7. Attach hydraulic hoses to corresponding hoses on the skid steer until they lock in place. Note: It is easier to attach hoses when machine is OFF.



Basic Operation

Starting Procedure

ATTENTION

Do not start the operating vehicle until shredder has been carefully checked for correct assembly and installation. Be sure all observers are at least 100 feet clear of the machine.

1. Check to see that the shredder is in the down position and blades are not touching the ground. Start the engine. Set throttle at idle speed.

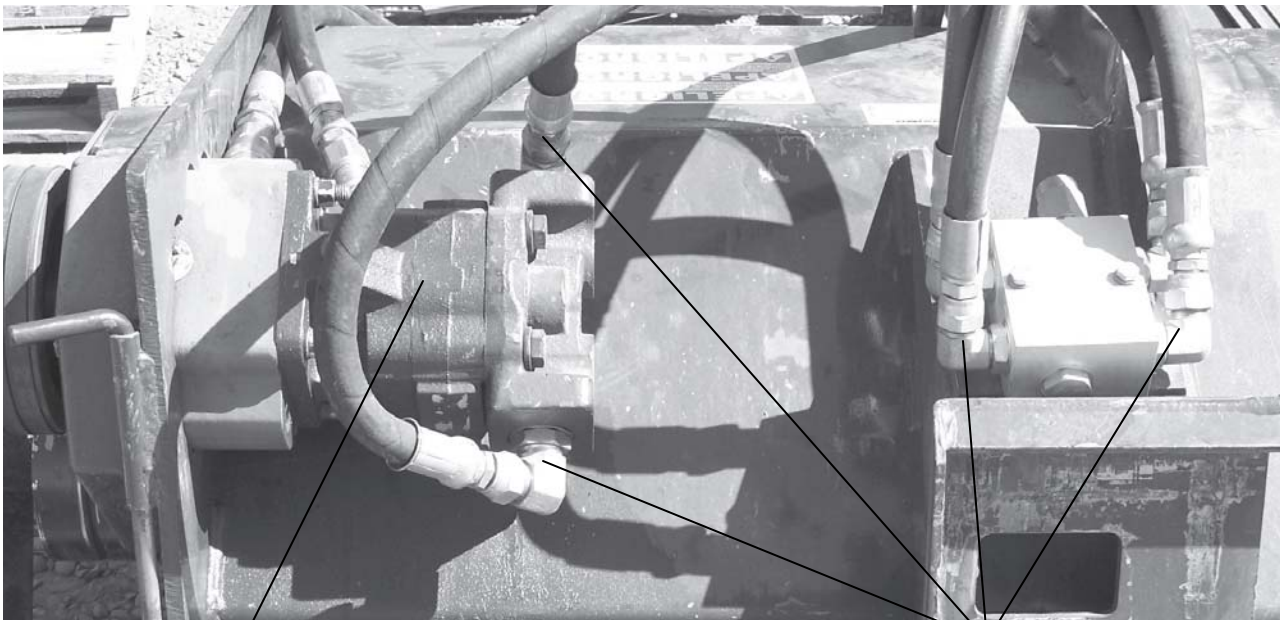
WARNING

DO NOT engage auxiliary flow hydraulics at a high engine speed.

2. With low RPM, turn on the auxiliary flow hydraulics.
3. Slowly bring up the RPM to maximum flow/efficiency.

IMPORTANT: Should excess vibrations occur, disable auxiliary hydraulics and shut the machine down immediately. Determine and correct the problem before continuing work.

4. When work is finished, disable auxiliary hydraulics, shut off operating vehicle, set parking brake and check hydraulic motor, motor protection valve and other areas for excess heat or leaks. Do not touch the motor or other hot areas with bare skin.



Check Motor for
Excessive Heat

Check Hose
Fittings For
Leaks

Basic Operation

Running Your BrushHound

ATTENTION

The shredder should be run at 2000 RPM.

1. Ground speed should range anywhere from 0-5 miles per hour. However, the operator should drive at a speed he or she is comfortable with within this range.
2. The sides of the shredder should be level with the ground while it is running.
3. The weight of the shredder should be on the gauge roller, which runs on the ground.
4. This shredder can be raised slightly to mulch larger brush, but never high enough to where the blades are exposed to the operator.
5. If your BrushHound has the optional skid shoes, make sure they are not running on the ground. They are made only to collide with small hills, mounds or other uneven surfaces and are not made to run on the ground.
6. Cutter drum rotations can be reversed to one of two directions. The first is the re-cut direction. With this application, the cutter drum rotates opposite to the wheel direction. This application is designed to cut the material more than once, but requires more horsepower and a lower ground speed. The second is the one-cut direction. With this application, the cutter drum will rotate the same direction as the operating vehicle tires. The material will only be cut once but you can run at a higher ground speed and it requires less horsepower.



Gauge Roller Running on Ground

Front Elevated

Adjustments and Maintenance

ATTENTION

Before doing any service work, observe the following safety rules:

1. Allow all movements to stop before leaving the operator's position to lubricate or clean the machine.
2. Before working on or underneath the shredder, place blocks on both sides of the operating vehicle tires or treads and under each end of the shredder to prevent accidental lowering of the machine.
3. Remove the ignition key from the operating vehicle and allow all movements to stop before beginning work.

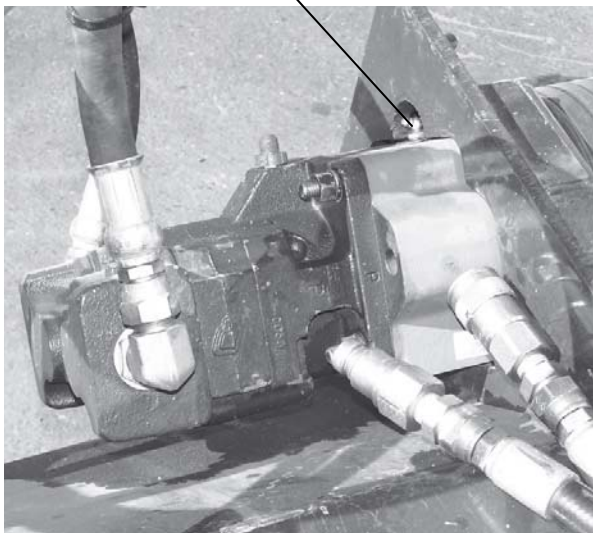
Lubrication

1. GREASE DAILY: Four bearings and one overhung load adapter bearing. Look for grease fittings at each grease point.

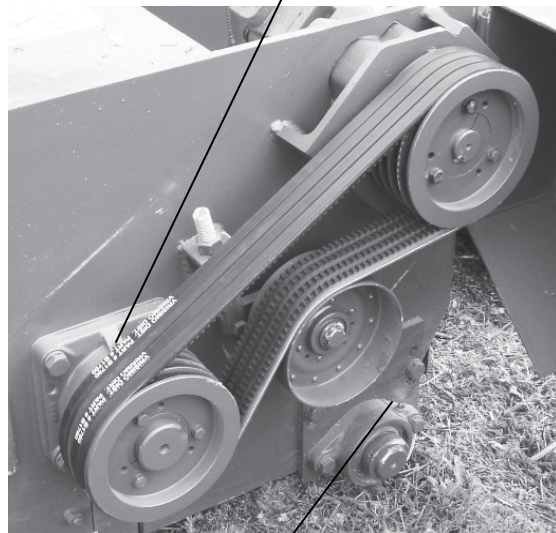
CAUTION

Over-greasing seals and bearings can cause damage. If an excessive amount of grease comes out, too much grease has been applied.

Overhung Load Adapter Bearing



2 Main Cutter Drum Bearings



2 Back Gauge Roll Bearings

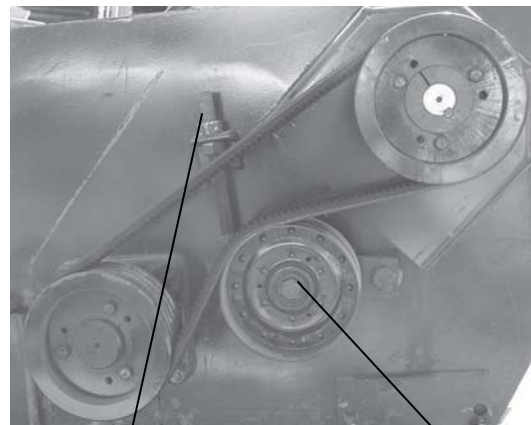
Adjustments and Maintenance

Cutting Height and Belt Adjustment

1. The cutting height of the shredder can be adjusted from 0-6". Adjustment is done by adjusting the height of the gauge roller on the side of the shredder that is closest to the operating vehicle and then adjusting the tilt on the operating vehicle so that the desired cutting height is achieved.
2. Adjusting the height of the back gauge roller is done by removing the two bolts on the height adjusting plate on both sides of the shredder and sliding the plate up or down to achieve the desired height. The weight of the shredder should be on the gauge roller, not on the front of the shredder.
3. Belt adjustment is done by tightening the idler adjusting rod which pulls the idler pulley into the belts. On a new machine, after 1-2 hours of operation, tighten the drive belts so there is only 1/4" to 3/8" give with 8 pounds of force.
4. If your BrushHound has the optional skid shoes, replacing or installing these is done by removing the two bolts holding them in place and simply reinstalling new ones using the two bolt holes that the old ones were removed from.
5. Adjustment of the height limiter is done by increasing or reducing the amount of slack in the chain going from the ring on the shredder to the operating vehicle. More slack will allow the machine to be raised higher and less slack will keep it lower to the ground.

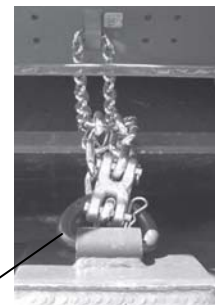
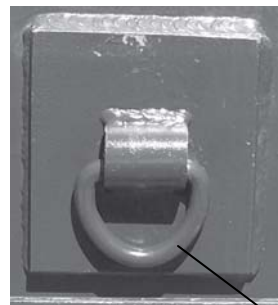


Gauge Roller Adjustment



Idler Adjusting Rod

Idler Pulley



Height Adjustment Ring

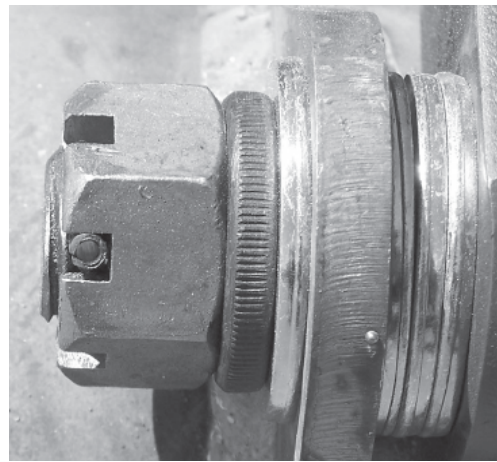
Adjustments and Maintenance

Replacing Knives

1. When knives, bolts or spacers become worn, they must be replaced. Not doing so could cause the cutting reel to run out of balance. **Do not mix new parts with older, worn parts. Doing so could cause the cutter drum to run out of balance.**
2. The knife replacement method for these attachments has been redesigned and now features a method that makes them easily removable while on the job. All you need is a 3/16" punch, a hammer and access to the knives on the cutter drum. Once the shredder is tilted to where the knives are exposed, simply take your punch and hammer it against the roll pin going through the castle nut and bolt until it pops out. The nut should come off easily after that.



Shredder Knife



Castle Nut and Roll Pin

3. To attach new knives, replace the same as they were removed and tighten the nut down past the hole for the roll pin and reinsert the roll pin using the hammer and punch.

ATTENTION

Gloves should always be worn when handling or replacing knives to reduce the chance of injury.

Adjustments and Maintenance

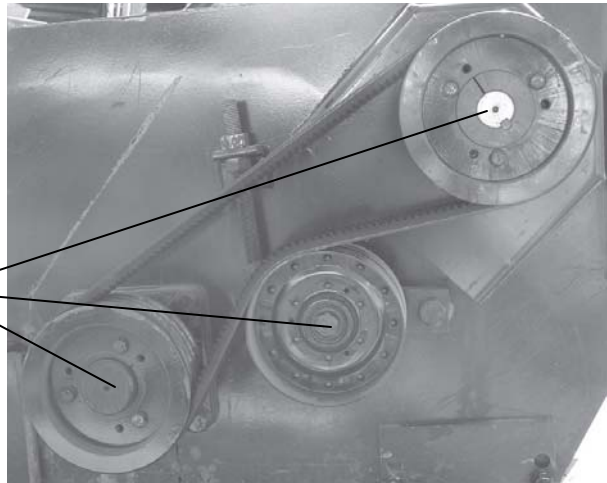
Cleaning Your Shredder

ATTENTION

To preserve life of paint and decals, wash the shredder after each use. The preservation of your shredder's decals is essential to safety, so make sure they are kept in good condition. It is also recommended that some sort of degreasing solution be used on all bearings.

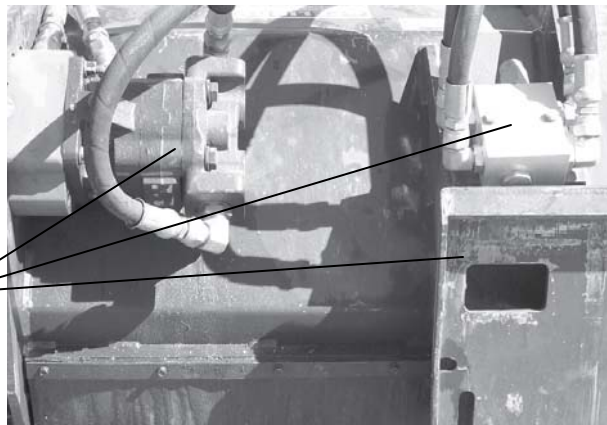
1. Check for excessive grease in bearing areas on the pulley side of the shredder. Make sure that grease is not allowed to get into the belt areas.

Check bearing areas underneath pulleys and remove and caught debris.



2. Clean clippings from hydraulic hose areas, mounting areas or any other areas that may be susceptible to excessive heat.

Check hose areas and mounting areas for debris.

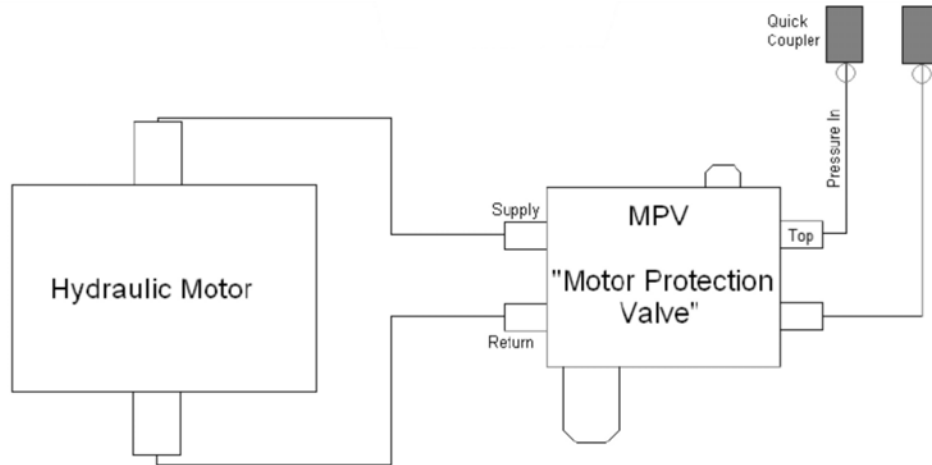


3. Clean the inside of the shredder with a pressure washer. Make sure the inside is kept free from mud and compact grass. Keep in mind that mud built up on the cutter drum can cause imbalance.
4. Preserve damaged decals or replace them if they are unreadable. Decal kits can be obtained from your local RockHound dealer.

Adjustments and Maintenance

Hydraulic Plumbing Diagram

The diagram below represents the hydraulic plumbing system for the 72F-H and 84F-H attachments.



To reverse cutter drum rotation, reverse the hoses at the motor.

On quick couplers, the male end is usually the pressure in. On high flow machines, however, the female coupler is the pressure in.

Transport, Removal and Storage

ATTENTION

Allow all movements to stop before leaving the operator's position to lubricate or clean the machine. Before working on or underneath the shredder, place blocks on both sides of the operating vehicle tires or treads and under each end of the shredder to prevent accidental lowering of the machine. Remove the ignition key from the operating vehicle and allow all movements to stop before beginning work. To transport, disengage auxiliary hydraulics and lower the machine to a reasonable ride height.

Removal

1. Lower the shredder all the way onto the ground.
2. Unlock the locking devices on the operating vehicle mount.
3. Tilt the operating vehicle mount so the bottom of the mount comes inward and lower the mount of the vehicle so that it disconnects from the shredder.

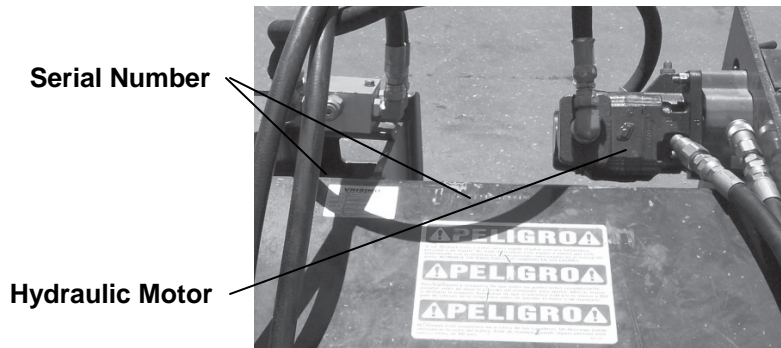
Storage

1. Clean the shredder thoroughly.
2. Relax belt tension.
3. Lubricate the shredder as recommended.
4. Check hoses and replace if damaged.
5. Check for worn parts and replace so you will be ready to operate when necessary.
6. Store in a clean, dry place.

Frequently Asked Questions

Q. Where is the serial number for my machine?

A. The serial number for your mower is stamped into the mower shield directly in front of the hydraulic motor.



Q. Where do I find replacement parts?

A. First check your local dealer and if they do not have the parts, ask them to order from the RockHound factory.

Q. How often should I change my knives?

A. Replacing the cutting knives is entirely up to the owner. When the cut begins to be inconsistent or rough, consider replacing the knives. It is recommended to keep an extra set of knives on hand so that loss of work time is minimal.

Q. How often should I replace my belts?

A. If you are experiencing repeated slipping, excessive heat or breaking of belts, try adjusting the level of tension. If this does not remedy the problem, replace the belt. Consider having an extra belt on hand as well.

Q. Do I need to fill the hydraulic motor with fluid before I use the mower?

A. No, this does not apply to the F-H series machine. Attachments are tested at the factory prior to shipment and are full of high quality hydraulic fluid.

Q. What do I do if my belts are wearing out too fast and burning up?

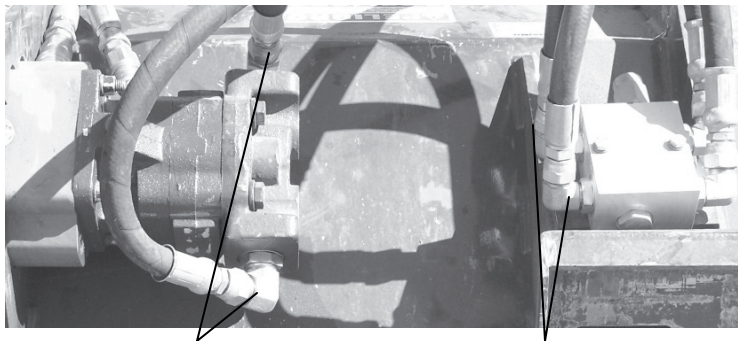
A. First check belt tension. Belts should have about 3/8" sway in them. Adjust tension accordingly. If this does not help, check the height of the grass or brush you are mowing. If the grass is over two feet in height, you might have to adjust the cutting height upwards and slow the speed of travel to reduce belt slippage.

Q. How can I prevent my hydraulic hoses from coming off during operation?

A. Be careful! Make sure the hoses are pressed all the way in their corresponding fittings on the operating vehicle. Turn the female coupler collar past the bump to cock. Give them a slight tug to make sure they are on all the way.

Frequently Asked Questions

- Q. When I am replacing hydraulic fluid, how much should I add?
- A. Consult your power unit's maintenance manual for fluid levels and information.
- Q. Are there any advantages to reversing cutter drum rotation?
- A. Whether or not reversing the cutter drum rotation is advantageous depends on the application. There are two main advantages to reversing cutter drum rotation and those are knife preservation and safety. As time goes on, knives wear down. If the cutter drum rotation is reversed, the knives will be cutting with their other side. As far as safety, the owner has to take into account many things such as whether or not it's safe to have things thrown in the direction of the operator (not recommended). The most important thing is safety, and if the owner decides to reverse cutter drum rotation, it is their responsibility to make sure that it is safe. However, RockHound Attachments recommends running the cutter drum in the reverse rotation (opposite tire rotation) so that shredded material is kept away from the operator.
- Q. How do I reverse cutter drum rotation?
- A. To reverse cutter drum rotation, simply take the two hoses coming from the motor protection valve to the hydraulic motor and switch them.



Switch Here or Switch Here

- Q. How do I replace my knives?
- A. Refer to the Adjustments and Maintenance Section for a detailed explanation on how to replace your knives.
- Q. When connecting my hydraulic hoses, is there a specific way they should be attached or can any hose go to any fitting on the operating vehicle?
- A. You will notice that one hose has a female end and the other hose has a male end. The female hose attaches to the male fitting on the operating vehicle and the male hose attaches to the female fitting on the operating vehicle.

Parts Catalog

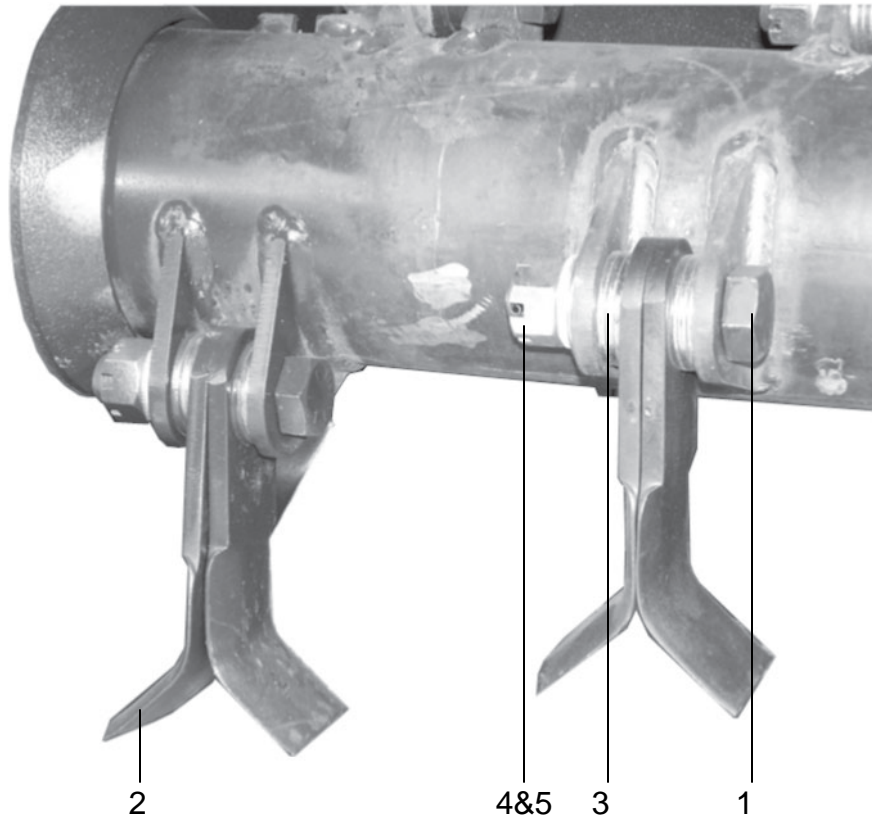


F-H Series BrushHound

F-H Specifications

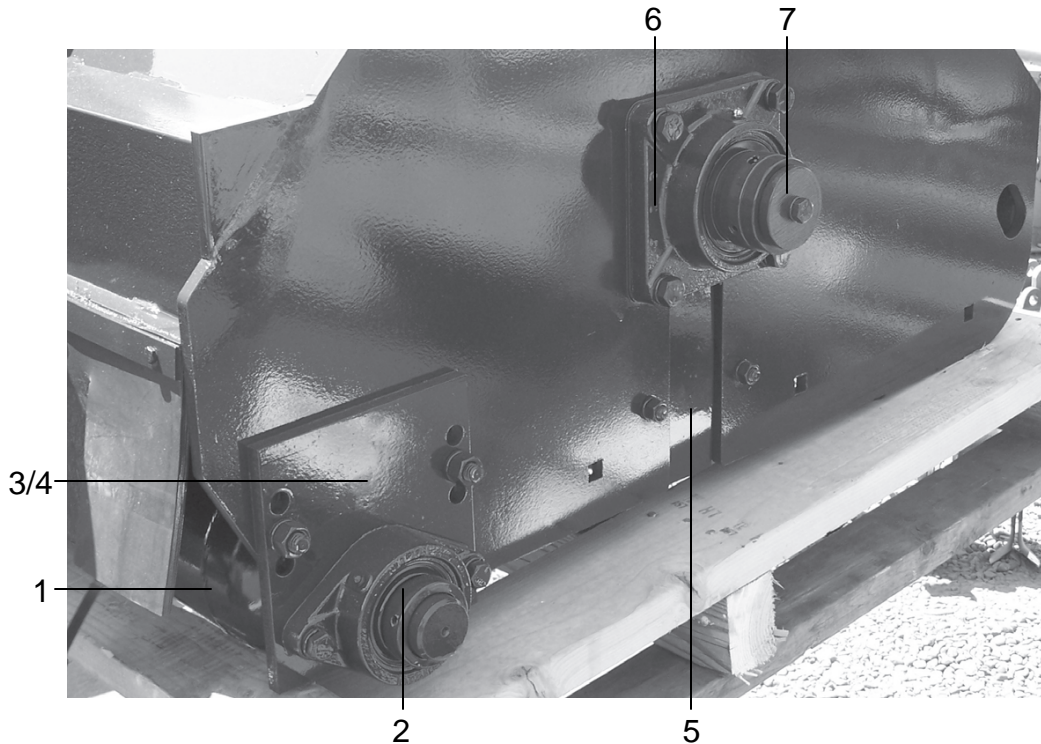
Model	Cutting Width	Overall Width	Appx. HP	Industrial Knives	Gauge Roller Dia.	Weight
60F-H	60"	72"	50+	32	2"	1525 lbs.
72F-H	72"	84"	60+	40	2"	1750 lbs.
84F-H	84"	96"	70+	48	2"	1925 lbs.

Cutter Drum Assembly



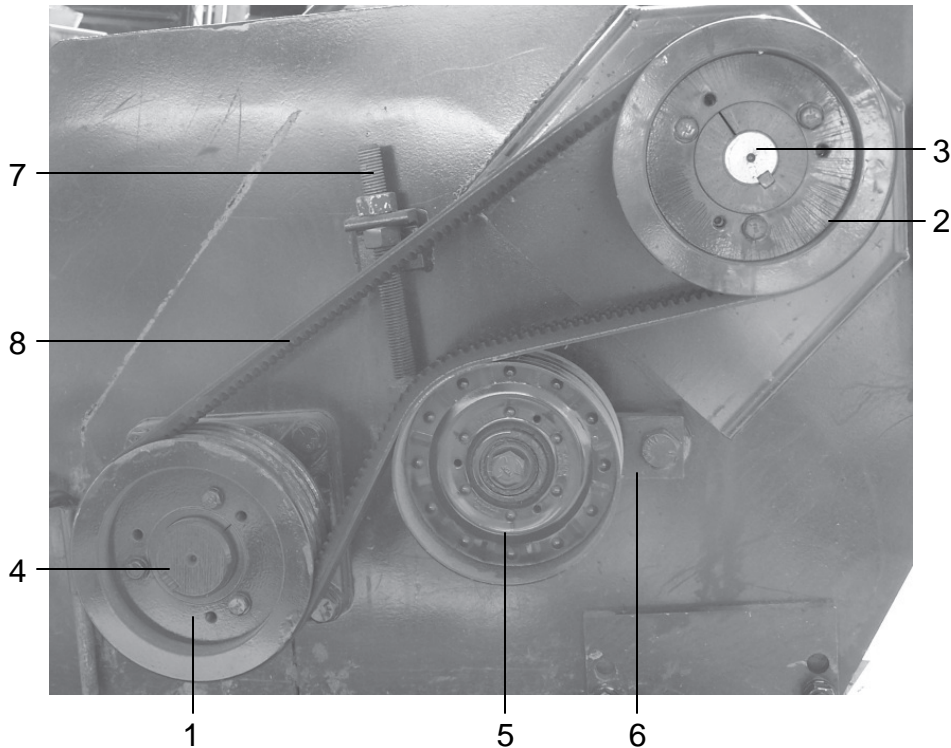
#	Description	Model	Part #	Quantity
1	Knife Bolt	All	CD-40EX-30	A/R
2	Knife	All	CD-2500	A/R
3	Blade Spacer	All	CD-40EX-32	A/R
4	Castle Nut	All	CD-40EX-34	A/R
5	Roll Pin	All	CD-40EX-35	A/R

Back Roller Assembly



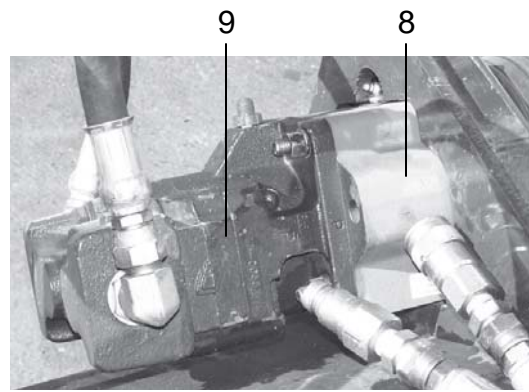
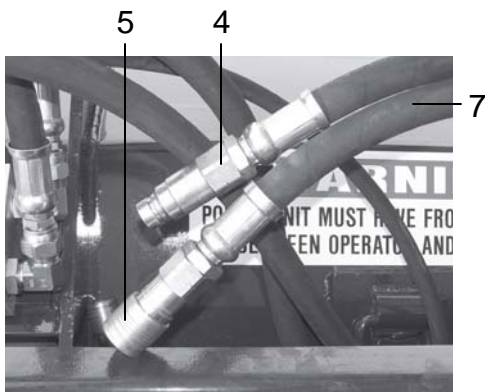
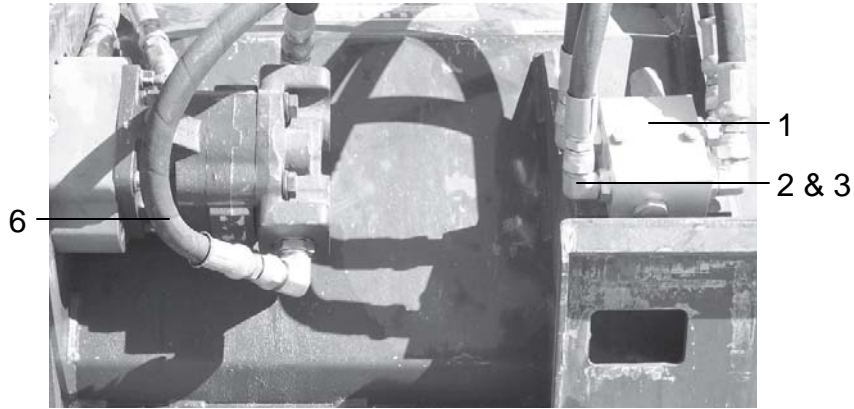
#	Description	Model	Part #	Qty.	Year
1	Back Roller Assembly 6 5/8" OD	60F-H	Call	1	2005+
1	Back Roller Assembly 6 5/8" OD	72F-H	BR-2526	1	2005+
1	Back Roller Assembly 6 5/8" OD	84F-H	BR-2527	1	2005+
2	Bearing Assembly 2" Triple Seal	All	BR-2403	2	2005+
3	Back Roller Adjusting Plate-Left	All	BR-2415	1	2005+
4	Back Roller Adjusting Plate-Right	All	BR-2520	1	2005+
5	End Plate Slot Filler	All	CD-2195	2	2005+
6	Cutter Drum Bearing	All	CD-1825	2	2005+
7	Cutter Drum Bearing Retainer Cap	All	N/A	1	2005+

Drive Pulley Assembly



#	Description	Model	Part #	Qty.	Year
1	Lower Pulley, 4 Groove	All	P-1480	1	2005+
2	Upper Pulley, 4 Groove	All	P-1480	1	2005+
3	Retainer Bushing, Top 1.5" ID	All	TL-1565	1	2005+
4	Retainer Bushing, Bottom 2 7/16" ID	All	TL-1570	1	2005+
5	Idler Pulley	All	IP-1641	1	2005+
6	Idler Arm	All	IP-1654	1	2005+
7	Idler Arm Adjusting Rod	All	IP-1653A	1	2005+
8	Drive Belt-Single	All	B-1781	4	2005+
8	Drive Belt-Banded	All	B-1781A	1	2005+
9	Drive Belt Cover	All	BC-2320	1	2005+

Hydraulic Plumbing



#	Description	Model	Part #	Qty.	Year
1	Motor Protection Valve	All	HY-2450	1	2005+
2	3/4" 90 Degree Adapter	All	HY-2520	A/R	2005+
3	1" 90 Degree Adapter	All	HY-2545	A/R	2005+
4	Quick Coupler Male	All	HY-2535	1	2005+
5	Quick Coupler Female	All	HY-2530	1	2005+
6	30" Hydraulic Hose	All	HY-2560	2	2005+
7	72" Hydraulic Hose	All	HY-2570	2	2005+
8	Overhung Load Adapter	All	HY-2610	1	2005+
9	Hydraulic Motor	All	HY-2900	1	2005+

Note: The 72" hoses go from the motor protection valve to the operating vehicle.
The 30" hoses go from the hydraulic motor to the motor protection valve.



Fax Back 24-Hr Parts Order Form

Prices are subject to change without notice. Some parts may require different lengths for model specific applications. The part numbers given here represent the largest shredder in the F-H class.

Parts Order Form-FH Series

Purchase Order Number _____

Dealership Name _____

Ship to Address _____

Contact Person _____

Telephone # _____ Fax # _____

<u>Part Number</u>	<u>Description</u>	<u>Retail Price</u>	<u>Quantity</u>
RB-84F-H-7	Front/Rear Rubber Guard	\$110.00	_____
IP-1641	Idler Pulley	\$48.60	_____
DR-625	5/8" D Ring w/ Weld Collar	\$10.65	_____
CD-2500	Shredder Knife	\$7.90	_____
CD-40EX-30	Bolt, Gr 8, 3/8-16NC x 4", 3/1	\$14.65	_____
CD-40EX-32	Knife Blade Spacer	\$0.75	_____
CD-40EX-33	1" Lock Washer	\$0.45	_____
CD-40EX-34	Castle Nut, Gr 8, 1"-8NC	\$1.90	_____
CD-40EX-35	Roll Pin, 3/16" x 1.5"	\$0.20	_____
B-1781A	Banded Belt-4 Groove	\$217.70	_____
TL-1570	Retainer 2 7/16" SF	\$39.40	_____
TL-1565	Retainer 1.5" SF	\$26.80	_____
P-1480	Sheave 4-Groove +4/5V7.50 SF	\$178.45	_____
CD-1825	Bearing, 2 7/16", 4 Bolt	\$139.65	_____
BR-2403	2" Bearing, 2 Bolt 5/8" BH	\$126.40	_____
HY-2530	3/4" Female Flatface Coupler	\$78.30	_____
HY-2520	3/4" M ORB x 3/4" M JIC 90 Adapter	\$8.20	_____
HY-2526	3/4" M ORB x 3/4" M JIC Adapter	\$3.60	_____
HY-2545	1" M ORB x 3/4" M JIC 90 Adapter	\$13.05	_____
HY-2560	30" Hydraulic Hose Assembly	\$66.15	_____
HY-2570	72" Hydraulic Hose Assembly	\$90.05	_____
HY-2740	Case Drain Hose Assembly-Stand	\$125.15	_____
HY-2535	3/4" Male Flatface Coupler	\$44.35	_____
HY-2731	Case Drain Adapter #4 ORB x 3/8 M	\$3.20	_____
HY-2610	Overhung Load Adapter	\$1209.10	_____
HY-2450	Motor Protection Valve	\$205.55	_____
6902229	11.5 oz. Charcoal Paint	\$10.91	_____
DC-84F-H	Decal Set	\$34.95	_____

Fax this completed form to (360) 230-2322.

**RockHound Attachments
P.O. Box 220-2507 Tully Rd.
Hughson, CA 95326
Phone: (800) 426-5615 Fax: (360) 230-2322**